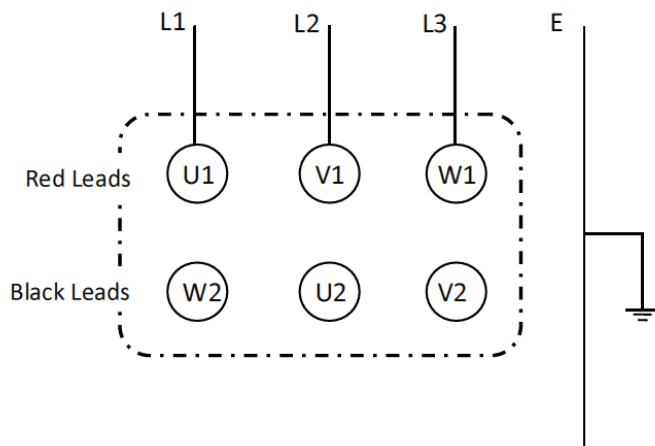


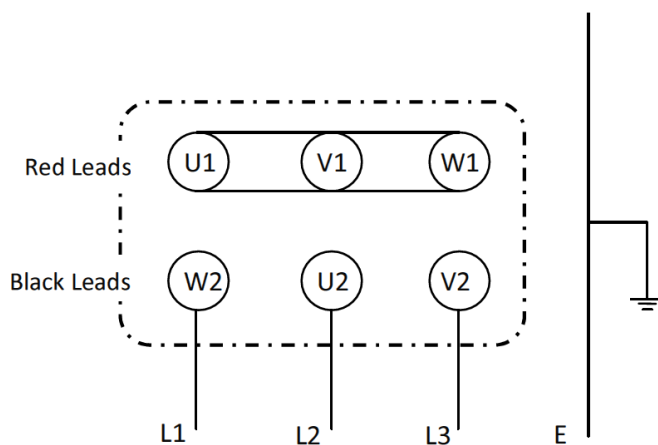
## Wiring Diagram — WD3-04

### THREE PHASE TWO SPEED MOTORS / TAP WOUND MOTORS in Dahlander connection (tapped windings)

#### Low Speed



#### High Speed



**For low speed, incoming power is fed to the three red leads and the black leads are open.**

**For high speed, incoming power is fed to the three black leads and the red leads are joined**

**Incorrect connection will cause the motor to burn out and warranty will be void**