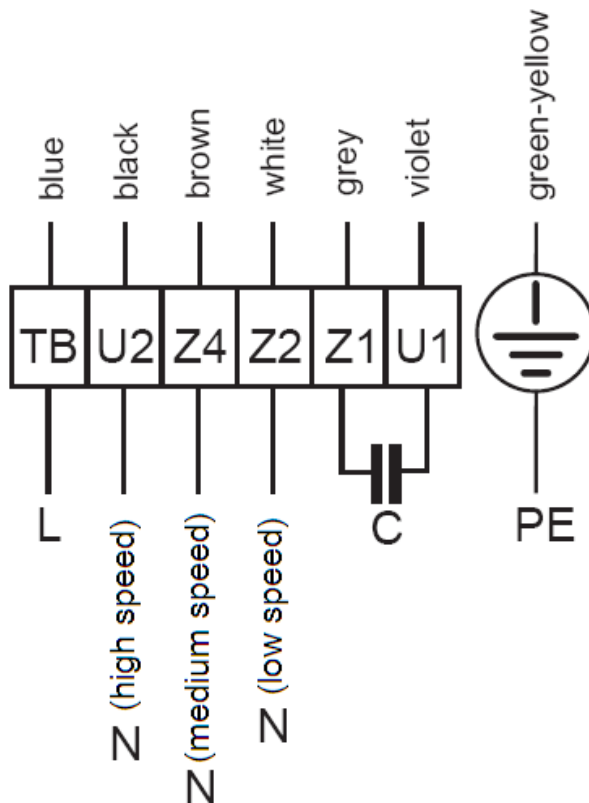


Wiring Diagram — WD1-04

For External Rotor Motor Type

Single phase three speed motor with internal capacitor, internal thermal contact



Incoming Neutral is connected only to one of terminals U2, Z4 or Z2 depending on the desired fan speed.

Note: Internal thermal overload protection contacts will reset and fan will re-start when temperature reduces after overload.