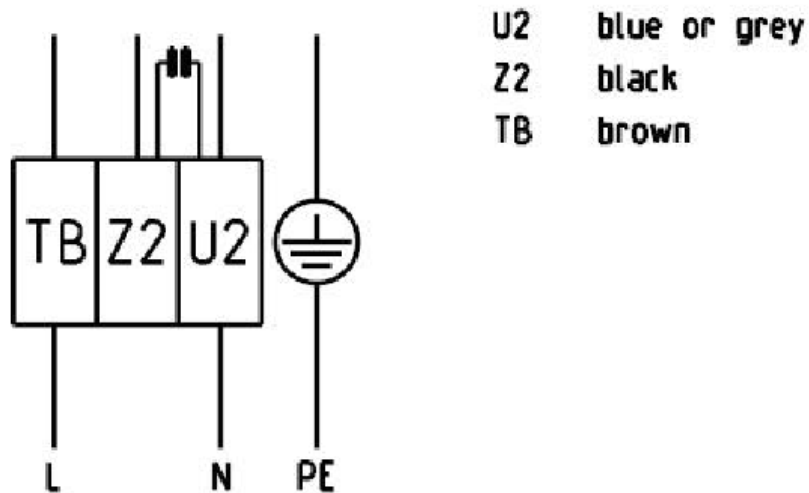


Wiring Diagram — WD1-03

For External Rotor Motor Type

Single phase motor with capacitor and internal thermal contacts



Note: Internal thermal overload protection contacts will reset and fan will re-start when temperature reduces after overload.